

SECTION A-A

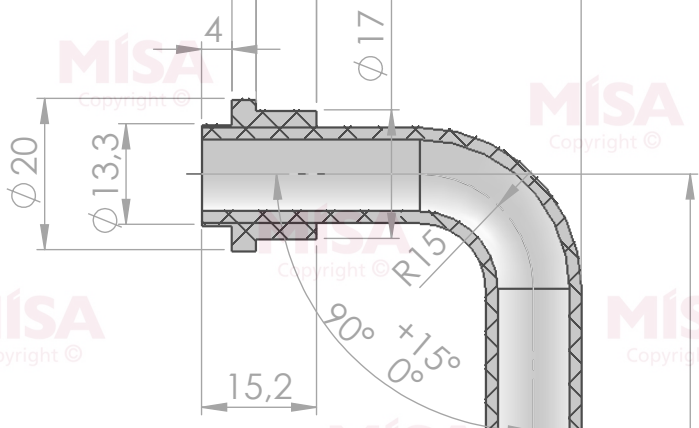
A

MISA
Copyright ©

MISA
Copyright ©

MISA
Copyright ©

3,2 8 35 ±3



MISA
Copyright ©

MISA
Copyright ©

B

MISA
Copyright ©

MISA
Copyright ©

MISA
Copyright ©

MISA
Copyright ©

MISA
Copyright ©

C

MISA
Copyright ©

MISA
Copyright ©

MISA
Copyright ©

MISA
Copyright ©

MISA
Copyright ©

+45
1420 0

D

MISA
Copyright ©

MISA
Copyright ©

MISA
Copyright ©

MISA
Copyright ©

MISA
Copyright ©

MISA
Copyright ©

MISA
Copyright ©

E

MISA
Copyright ©

MISA
Copyright ©

MISA
Copyright ©

MISA
Copyright ©

MISA
Copyright ©

MISA
Copyright ©

MISA
Copyright ©

$\phi 9,5$

$\phi 12,7$

F

MISA
Copyright ©

MISA
Copyright ©

MISA
Copyright ©

MISA
Copyright ©

MISA
Copyright ©